



TerraMo

The compact power connection module with retracting function

safe – economically feasible - competent

The ideal solution to modern power supply in interior and exterior area:

- Shopping centers
- Sport halls
- Exhibition halls
- Factory and Storage halls
- Workshops
- School buildings and School yards
- Outdoor and Indoor Swimming pools
- Town halls and Festival halls
- Terraces
- Beer gardens
- Carports
- Park and Garden facilities
- Garages
- Universities
- Train stations
- Airports



TerraMo offers maximum accident control and traffic safety

The flush-mounted system of TerraMo meets VDE standards. It is largely visible during operation and sunk down flushed to the floor in idle state. Its stable design enables it to be safely passable and practicable by cars. TerraMo sets heights in road safety, accident prevention and protection against vandalism.

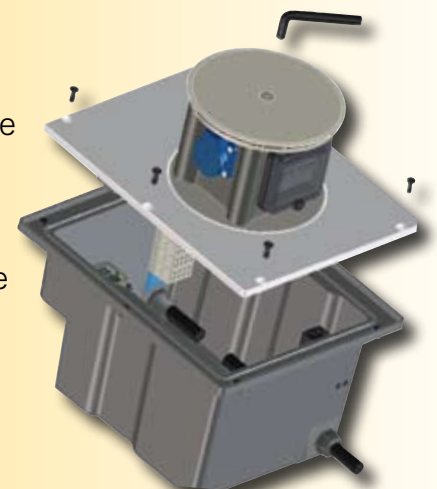
Economic feasibility from the very start

TerraMo offers maximum functionality at minimum space requirement. The easy-to-operate complete unit is cost-effective, ergonomic and easy-to-assemble. Its unique air-conditioning and water-drainage system "Dry inside" protects the electrical engineering and electronic system, guarantees a high level of operational safety and reduces maintenance expenditure through the entire service life!

Competence benefiting you

TerraMo from MOSER SYSTEMELEKTRIK stands for technical advancement. It is the innovative result of over 20 years of experience in the field of underground installation.

Enjoy the benefit of this versatility and the added value of this premium product "Made in Germany" and "Distributed in Denmark".



DAN-intra

Frederiksvaerkevej 24
DK-3600 Frederikssund
Denmark

Phone +45 47 38 48 22
Fax +45 47 38 48 33

la@danintra.dk
www.danintra.dk

MOSER SYSTEMELEKTRIK

Erikaweg 1
D-78141 Schönwald
Deutschland

Phone +49(0)77 22/ 96 97-0
Fax +49(0)77 22/ 96 97-11

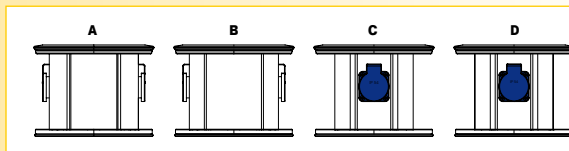
info@moser-systemelektrik.de
www.moser-systemelektrik.de



TerraMo-Sta-01

Equipment:

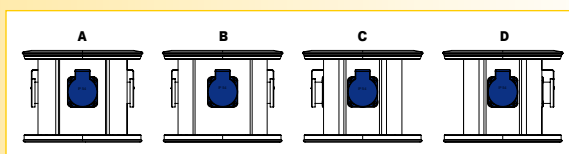
- A: Non-equipped
- B: Non-equipped
- C: 1 x shock-proof socket, 16A
- D: 1 x shock-proof socket, 16A



TerraMo-Sta-02

Equipment:

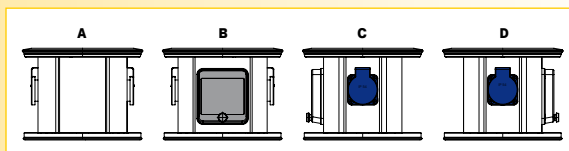
- A: 1 x shock-proof socket, 16A
- B: 1 x shock-proof socket, 16A
- C: 1 x shock-proof socket, 16A
- D: 1 x shock-proof socket, 16A



TerraMo-Sta-03

Equipment:

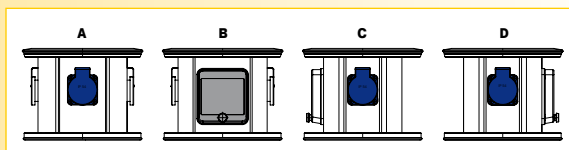
- A: Non-equipped
- B: 1 x distributor - 4 modules
2 x RCCB, 16/0,03A, C, 1P+N
- C: 1 x shock-proof socket, 16A
- D: 1 x shock-proof socket, 16A



TerraMo-Sta-04

Equipment:

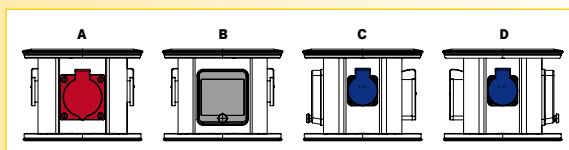
- A: 1 x shock-proof socket, 16A
- B: 1 x distributor - 4 modules
2 x RCCB, 16/0,03A, C, 1P+N
- C: 1 x shock-proof socket, 16A
- D: 1 x shock-proof socket, 16A



TerraMo-Sta-05

Equipment:

- A: 1 x CEE 16A, 5-pol.
- B: 1 x distributor - 4 modules
1 x RCCB, 16/0,03A, C, 4-pole
- C: 1 x shock-proof socket, 16A
- D: 1 x shock-proof socket, 16A



MOSER SYSTEMELEKTRIK

Erikaweg 1
D-78141 Schönwald
Deutschland
Telefon +49(0)77 22/ 96 97-0
Fax +49(0)77 22/ 96 97-11
info@moser-systemelektrik.de
www.moser-systemelektrik.de

DAN-intra

Frederiksvaerkevej 24
DK-3600 Frederikssund
Denmark
Phone +45 47 38 48 22
Fax +45 47 38 48 33
la@danintra.dk
www.danintra.dk

Contact your partner in Denmark.

Detailed information also by email to la@danintra.dk