
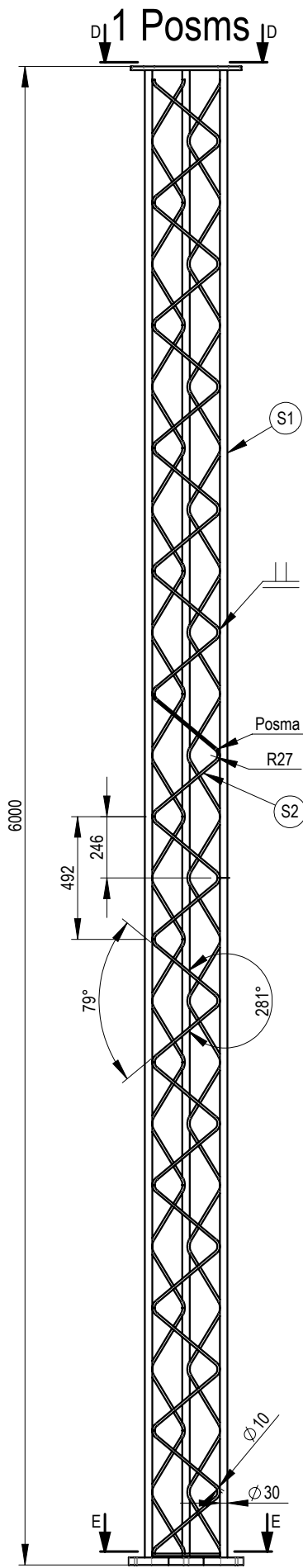
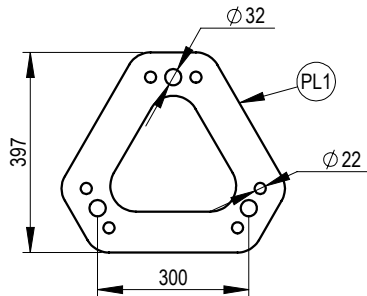


Section	Ø / □ / W	Material	Thickness	Pcs.	L / WxL
S10	80x80	S235JR	4	1	2000
PL1		S235	3	4	36x16

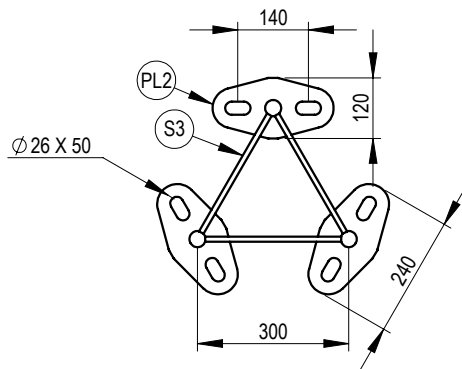
 "Vecrātnieki" Daugmales pagasts, Ķekavas novads, LV-2124, Latvija Phone +371 67148855 E-mail sales@tecnopali.lv www.tecnopali.lv	Owner:	Tecnopali		Title:	L3CYP18000-250_300B_TS2_R			UNLESS OTHERWISE SPECIFIED: DIMENSIONS ARE IN MILLIMETERS TOLERANCES EN40-2:H<10m ±25, H>10m ±0.6% LINEAR: Ø ±3%, Th ±0.2, ANGULAR: +1° -0° DO NOT SCALE DRAWING
	Drawn by:	R.Jaunslavietis		Item no.:	L3CYP18000-250_300B_TS2_R			
	Checked by:	D.Avisans		Scale:	1:75	Weight:	346 kg	
	Rev.:	Date:	29.06.2020	Galvanized:	EN 1461		Material:	



SEC. D-D
(1 : 15)



SEC. E-E
(1 : 15)



Section	Ø / □ / W	Material	Thickness	Pcs.	L / W x L
PL1		S355JR	15	1	
PL2		S355JR	30	3	240x120
S1	30	S355JR		3	6000
S2	10	S355JR		3	8736
S3	10	S355JR		3	270

TECNOPALI
NORTH EUROPE

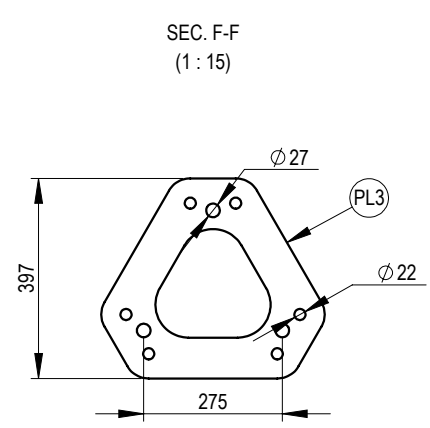
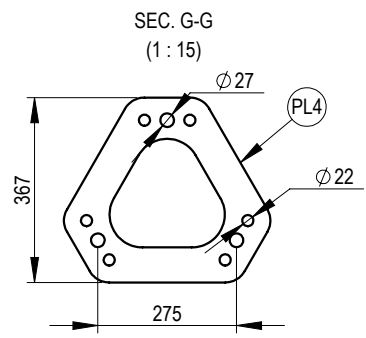
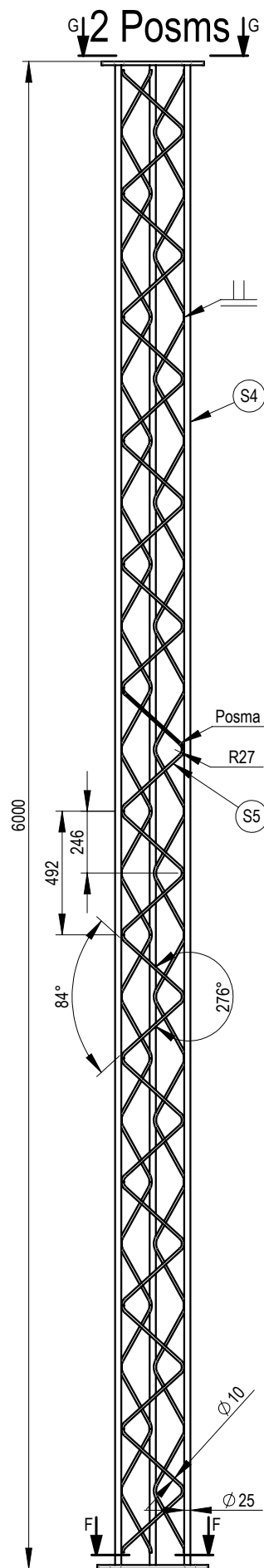
"Vecrātnieki" Daugmales pagasts,
Ķekavas novads, LV-2124, Latvija
Phone +371 67148855
E-mail sales@tecnopali.lv
www.tecnopali.lv

Owner: **Tecnopali**
Drawn by: **R.Jaunslavietis**
Checked by: **D.Avisans**
Rev.: Date: **29.06.2020**

Title: **1_Posms**
Item no.: **L3CYP18000-250_300B_TS2_R**
Scale: **1:25** Weight: **346 kg** Galvanized: **EN 1461**

UNLESS OTHERWISE SPECIFIED:
DIMENSIONS ARE IN MILLIMETERS
TOLERANCES EN40-2:H<10m ±25,
H>10m ±0.6%
LINEAR: Ø ±3%, Th ±0.2,
ANGULAR: +1° -0°
DO NOT SCALE DRAWING

Material: Page: **2/4**



Section	Ø / □ / W	Material	Thickness	Pcs.	L / WxL
PL3		S355JR	15	1	
PL4		S355JR	15	1	
S4	25	S355JR		3	6000
S5	10	S355JR		3	8373.6

TECNOPALI
NORTH EUROPE

"Vecrātnieki" Daugmales pagasts,
Ķekavas novads, LV-2124, Latvija
Phone +371 67148855
E-mail sales@tecnopali.lv
www.tecnopali.lv

Owner: **Tecnopali**

Drawn by: **R.Jaunslavietis**

Checked by: **D.Avisans**

Rev.: Date: **29.06.2020**

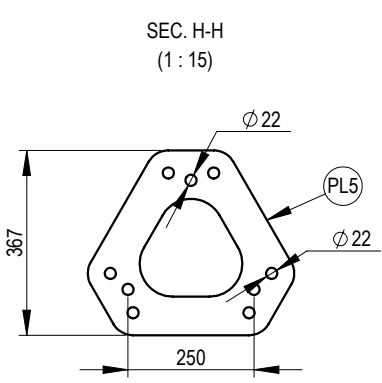
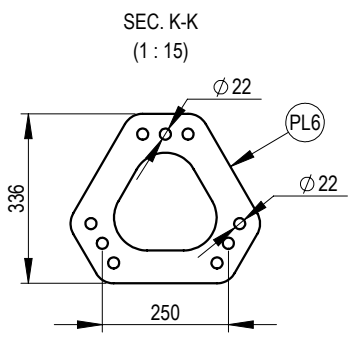
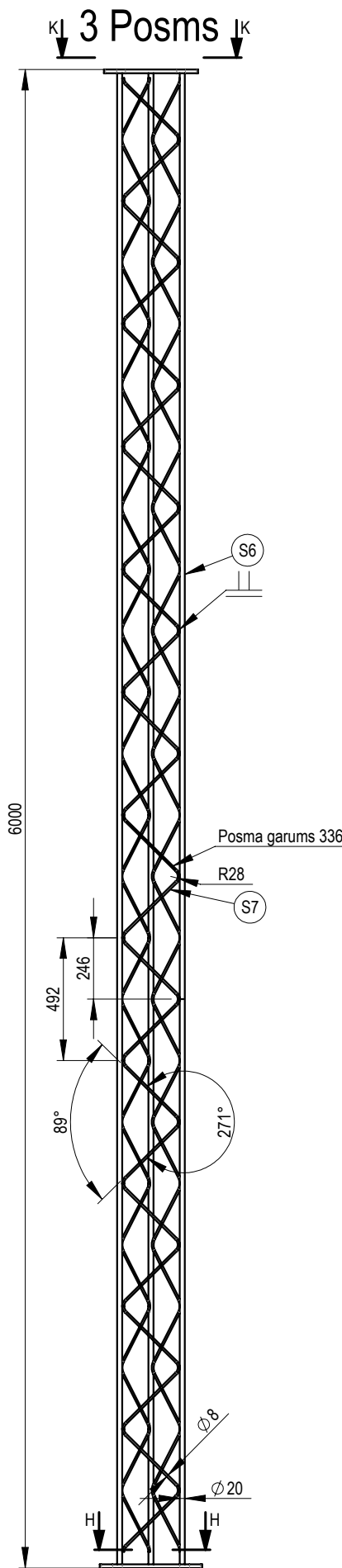
Title: **2_Posms**

Item no.: **L3CYP18000-250_300B_TS2_R**

Scale: 1:25 Weight: **346 kg** Galvanized: **EN 1461**

UNLESS OTHERWISE SPECIFIED:
DIMENSIONS ARE IN MILLIMETERS
TOLERANCES EN40-2:H<10m ±25,
H>10m ±0.6%
LINEAR: Ø ±3%, Th ±0.2,
ANGULAR: +1° -0°
DO NOT SCALE DRAWING

Material: Page: **3/4**



Section	Ø / □ / W	Material	Thickness	Pcs.	L / WxL
PL5		S355JR	15	1	
PL6		S355JR	15	1	
S6	20	S355JR		3	6000
S7	8	S355JR		3	8059.2

TECNOPALI
NORTH EUROPE

"Vecratnieki" Daugmales pagasts,
Ķekavas novads, LV-2124, Latvija
Phone +371 67148855
E-mail sales@tecnopali.lv
www.tecnopali.lv

Owner: **Tecnopali**

Drawn by: **R.Jaunslavietis**

Checked by: **D.Avisans**

Rev.: Date: **29.06.2020**

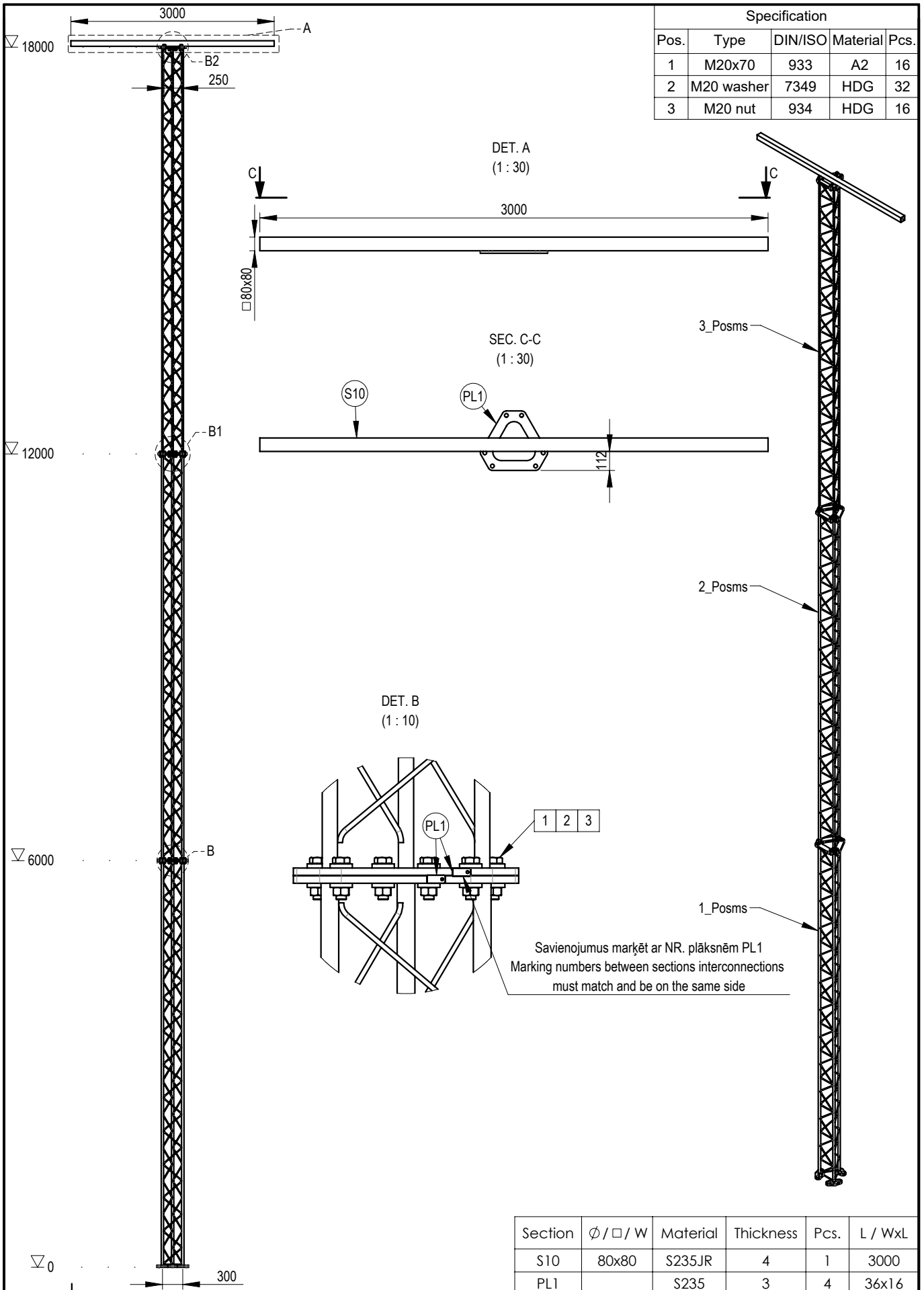
Title: **3_Posms**

Item no.: **L3CYP18000-250_300B_TS2_R**

Scale: 1:25 Weight: 346 kg Galvanized: EN 1461

UNLESS OTHERWISE SPECIFIED:
DIMENSIONS ARE IN MILLIMETERS
TOLERANCES EN40-2:H<10m ±25,
H>10m ±0.6%
LINEAR: Ø ±3%, Th ±0.2,
ANGULAR: +1° -0°
DO NOT SCALE DRAWING

Material: Page: 4/4



Specification				
Pos.	Type	DIN/ISO	Material	Pcs.
1	M20x70	933	A2	16
2	M20 washer	7349	HDG	32
3	M20 nut	934	HDG	16

DET. A
(1 : 30)

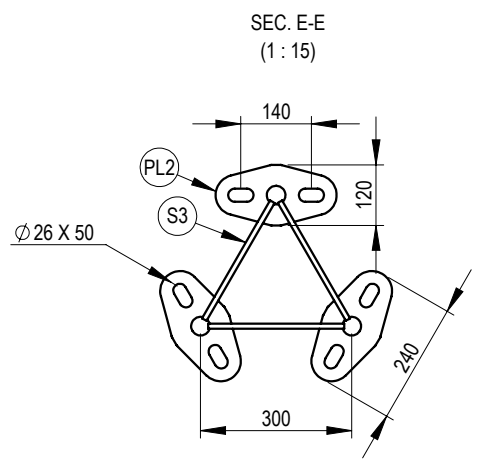
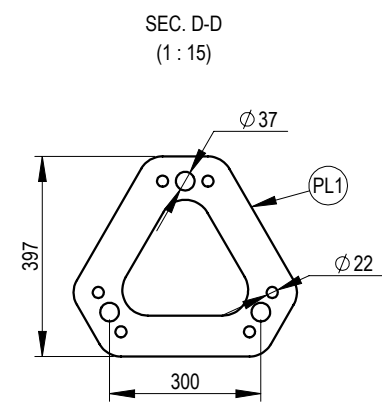
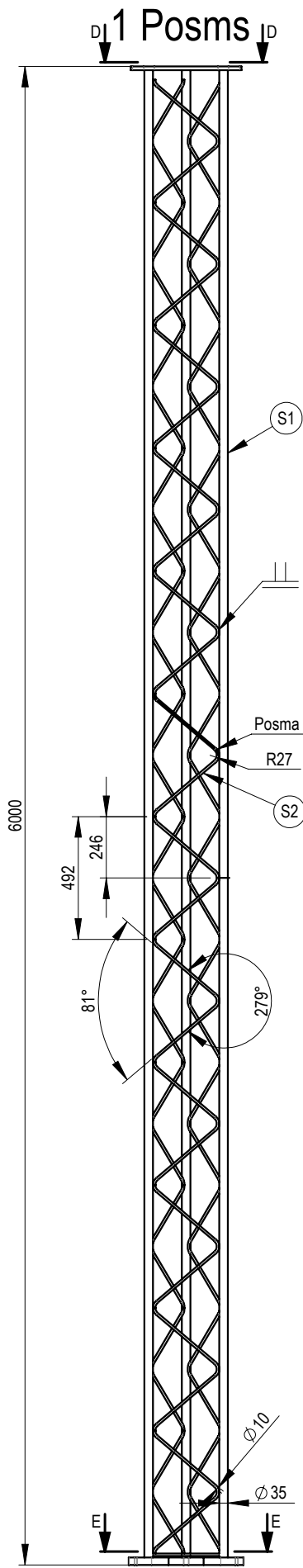
SEC. C-C
(1 : 30)

DET. B
(1 : 10)

Savienojumus marķēt ar NR. plāksnēm PL1
Marking numbers between sections interconnections
must match and be on the same side

Section	Ø / □ / W	Material	Thickness	Pcs.	L / WxL
S10	80x80	S235JR	4	1	3000
PL1		S235	3	4	36x16

<p>"Vecrātnieki" Daugmales pagasts, Ķekavas novads, LV-2124, Latvija Phone +371 67148855 E-mail sales@tecnopali.lv www.tecnopali.lv</p>	Owner:	Tecnopali		Title:	L3CYP18000-300B_TS3_R			UNLESS OTHERWISE SPECIFIED: DIMENSIONS ARE IN MILLIMETERS TOLERANCES EN40-2:H<10m ±25, H>10m ±0.6% LINEAR: Ø ±3%, Th ±0.2, ANGULAR: +1° -0° DO NOT SCALE DRAWING
	Drawn by:	R.Jaunslavietis		Item no.:	L3CYP18000-300B_TS3_R			
	Checked by:	D.Avisans		Scale:	1:75	Weight:	426 kg	
	Rev.:	Date:	29.06.2020	Galvanized:	EN 1461		Material:	



Section	Ø / □ / W	Material	Thickness	Pcs.	L / W x L
PL1		S355JR	15	1	
PL2		S355JR	30	3	240x120
S1	35	S355JR		3	6000
S2	10	S355JR		3	8644.8
S3	10	S355JR		3	270

TECNOPALI
NORTH EUROPE

"Vecrātnieki" Daugmales pagasts,
Ķekavas novads, LV-2124, Latvija
Phone +371 67148855
E-mail sales@tecnopali.lv
www.tecnopali.lv

Owner: **Tecnopali**

Drawn by: **R.Jaunslavietis**

Checked by: **D.Avisans**

Rev.: Date: **29.06.2020**

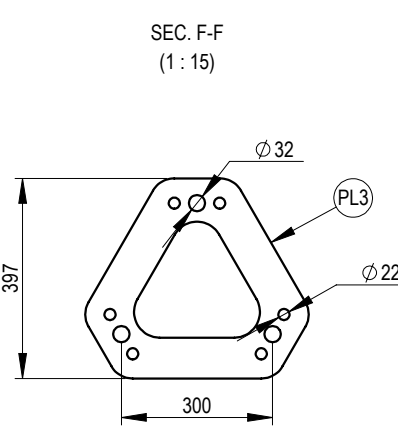
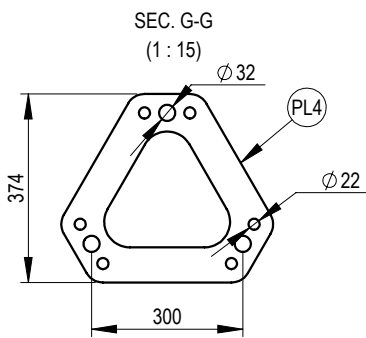
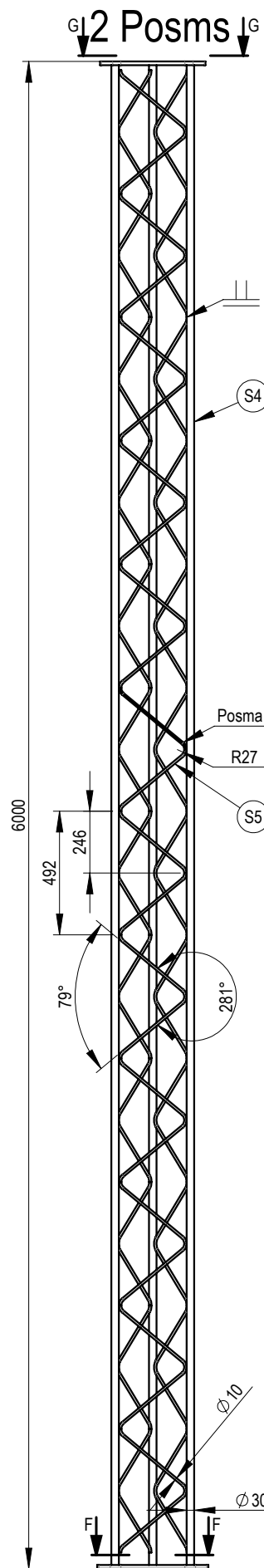
Title: **1_Posms**

Item no.: **L3CYP18000-300B_TS3_R**

Scale: **1:25** Weight: **426 kg** Galvanized: **EN 1461**

UNLESS OTHERWISE SPECIFIED:
DIMENSIONS ARE IN MILLIMETERS
TOLERANCES EN40-2:H<10m ±25,
H>10m ±0.6%
LINEAR: Ø ±3%, Th ±0.2,
ANGULAR: +1° -0°
DO NOT SCALE DRAWING

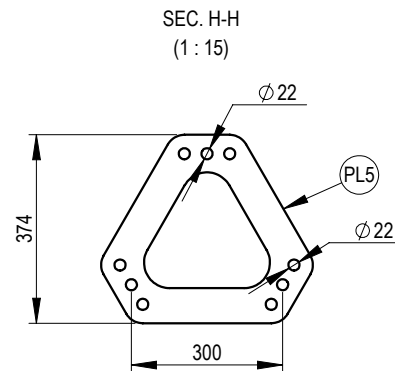
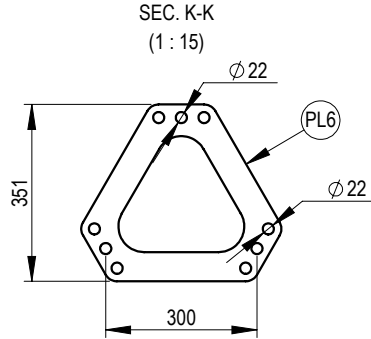
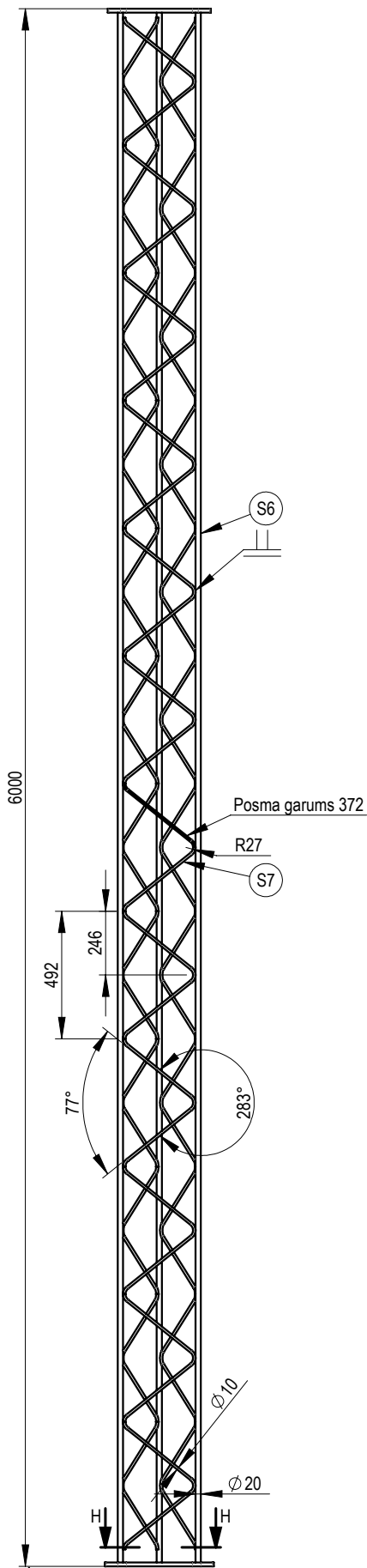
Material: Page: **2/4**



Section	Ø / □ / W	Material	Thickness	Pcs.	L / WxL
PL3		S355JR	15	1	
PL4		S355JR	15	1	
S4	30	S355JR		3	6000
S5	10	S355JR		3	8736

<p>"Vecrātnieki" Daugmales pagasts, Ķekavas novads, LV-2124, Latvija Phone +371 67148855 E-mail sales@tecnopali.lv www.tecnopali.lv</p>	Owner:	Tecnopali		Title:		2_Posms		<p>UNLESS OTHERWISE SPECIFIED: DIMENSIONS ARE IN MILLIMETERS TOLERANCES EN40-2:H<10m ±25, H>10m ±0.6% LINEAR: Ø ±3%, Th ±0.2, ANGULAR: +1° -0° DO NOT SCALE DRAWING</p>
	Drawn by:	R.Jaunslavietis		Item no.:		L3CYP18000-300B_TS3_R		
	Checked by:	D.Avisans		Scale:	Weight:	Galvanized:	Material:	
	Rev.:	Date:	29.06.2020	1:25	426 kg	EN 1461	Page:	
						3/4		

3 Posms



Section	Ø / □ / W	Material	Thickness	Pcs.	L / WxL
PL5		S355JR	15	1	
PL6		S355JR	15	1	
S6	20	S355JR		3	6000
S7	10	S355JR		3	8923.2

TECNOPALI
NORTH EUROPE

"Vecratnieki" Daugmales pagasts,
Ķekavas novads, LV-2124, Latvija
Phone +371 67148855
E-mail sales@tecnopali.lv
www.tecnopali.lv

Owner: **Tecnopali**

Drawn by: **R.Jaunslavietis**

Checked by: **D.Avisans**

Rev.: Date: **29.06.2020**

Title: **3_Posms**

Item no.: **L3CYP18000-300B_TS3_R**

Scale: 1:25 Weight: 426 kg Galvanized: EN 1461

UNLESS OTHERWISE SPECIFIED:
DIMENSIONS ARE IN MILLIMETERS
TOLERANCES EN40-2:H<10m ±25,
H>10m ±0.6%
LINEAR: Ø ±3%, Th ±0.2,
ANGULAR: +1° -0°
DO NOT SCALE DRAWING

Material: Page: **4/4**