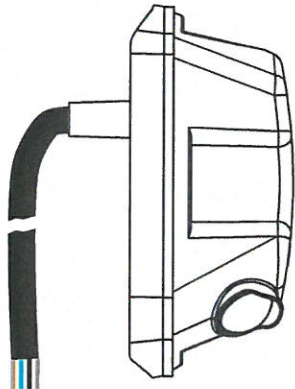


Presentation



SIR_DALI and SIR-W_DALI
(infrared motion sensors)

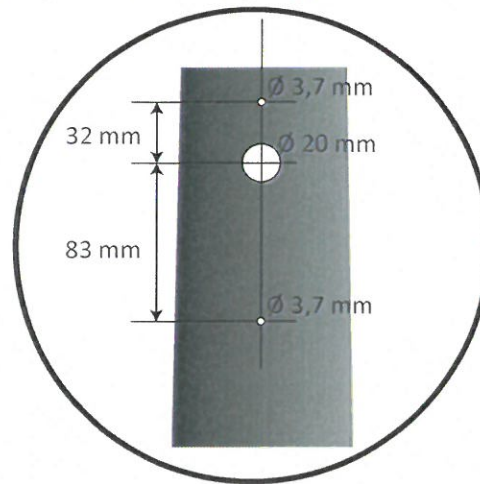
W = wireless communication version

S.I.R. is an intelligent device based on motion sensors for pedestrians and cyclists.

SIR_DALI controls the light point through DALI liaison.

Preparation

Drilling of the mounting holes :



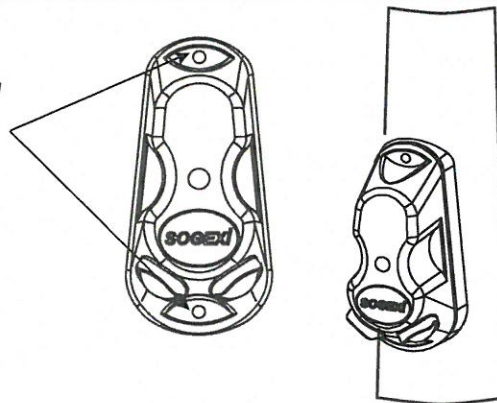
See the true to scale drilling template on the back

Same wiring for both versions

Installation

- Guide the cable through the hole $\varnothing 20$ mm.
- Lead the cable downwards to the junction box.
- Fix the sensor against the pole.

Fix the sensor with the 2 provided self-drilling screws and washers.

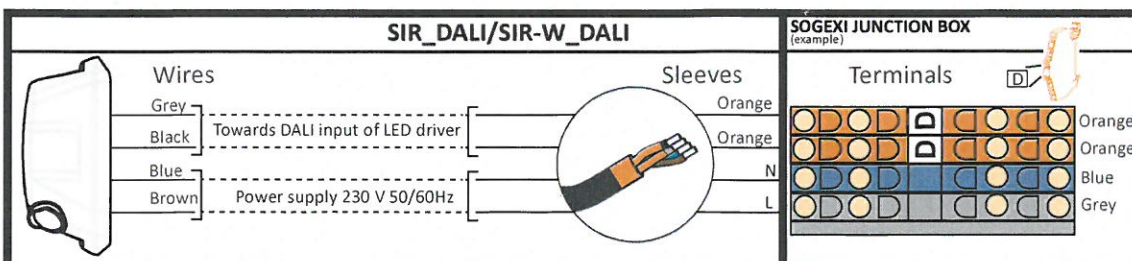


Minimum height : 3 m
Maximum height : 4,5 m

Caution

It is compulsory to make sure that no other DALI device (controller, communicating node), is connected to the DALI BUS.

Wiring

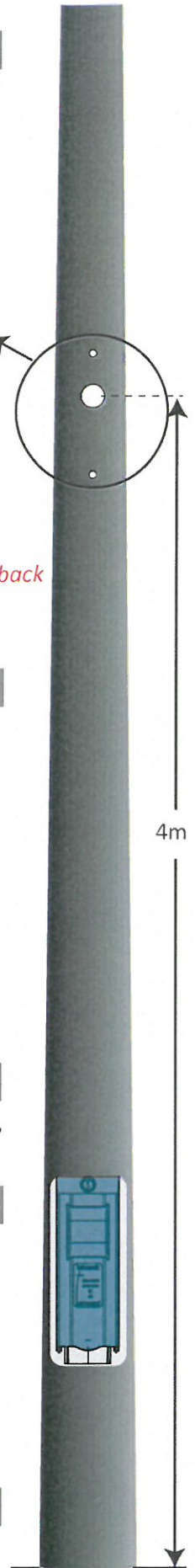


Need help ?

Customer Service + 33 4 72 54 84 31 or service.clients@sogexi.fr

www.lacroix-sogexi.com

LACROIX Sogexi - 1 rue de Maupas - F-69380 LES CHERES - FRANCE - Ph. : + 33 4 78 47 33 55



Make sure you print out the page in the actual size (100%) to keep the indicated dimensions.

SIR_DALI/SIR-W_DALI Sensors

Drilling template

1502_NI_FR_A

Ø 3,7 mm

32 mm

Ø 20 mm

83 mm

Ø 3,7 mm

